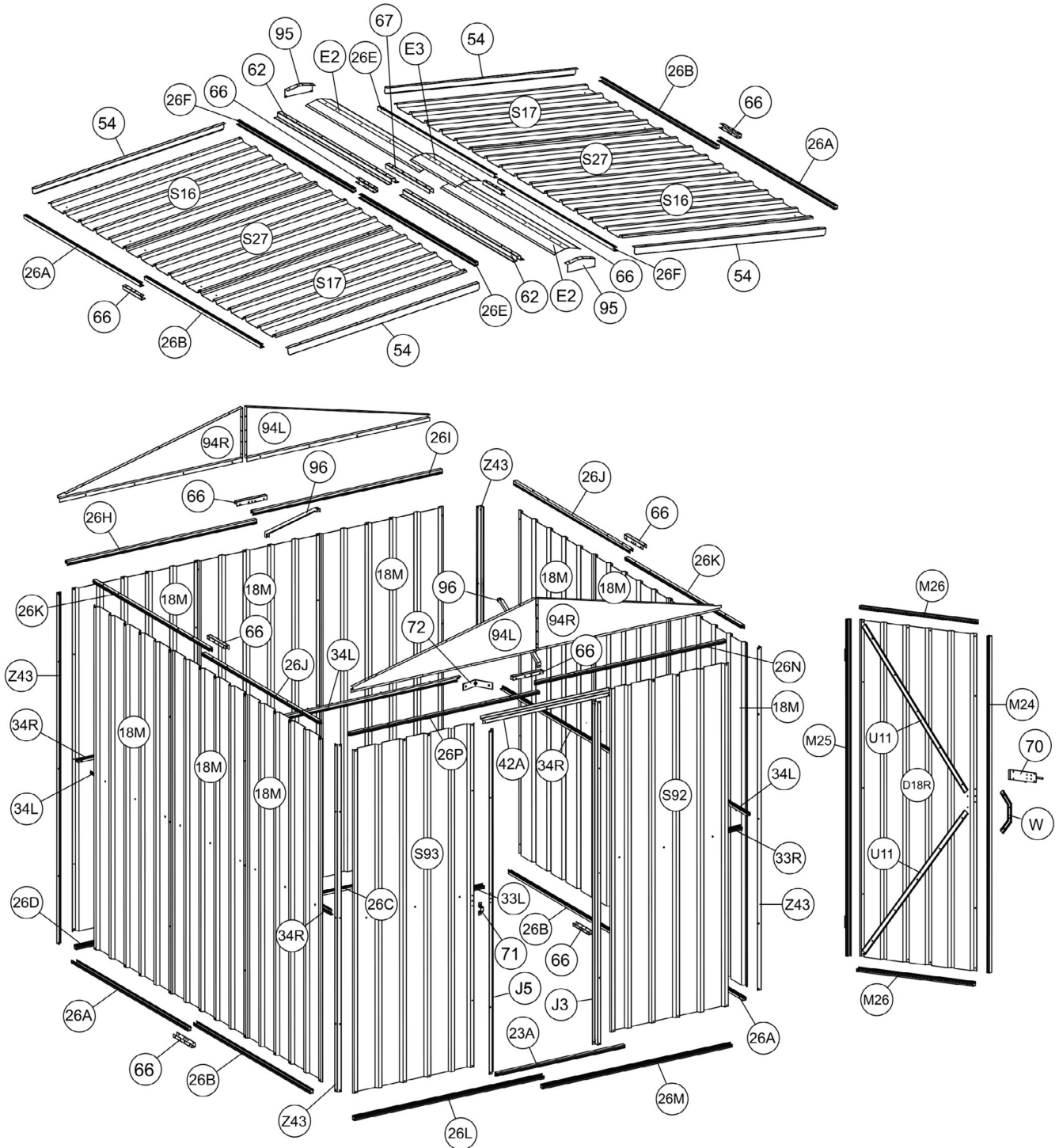




Parts Information:
**Dellonda Galvanized Steel Garden/
Outdoor/Storage Shed, 2.3 x 2.3 x 2.2m,
Apex Style Roof - Green
Model No: DG115**



NOTE: It is our policy to continually improve products and as such we reserve the right to alter data, specifications and component parts without prior notice. There may be alternative versions of this product, please contact us should you require this information.
IMPORTANT: No liability is accepted for incorrect use of product. Spare parts must be fitted by a competent person
WARRANTY: Guarantee is 12 months from purchase date, proof of which will be required for any claim.



Parts Information:
**Dellonda Galvanized Steel Garden/
 Outdoor/Storage Shed, 2.3 x 2.3 x 2.2m,
 Apex Style Roof - Green
 Model No: DG115**

Item	Part No.	Description
18M	DG10704	Rear/Side Panel (Left/Right/Middle Panel)
S16	DG10695	Roof Panel (Right Side)
S17	DG10696	Roof Panel (Left Side)
S27	DG10697	Roof Panel (Middle)
S92	DG10701	Front Panel (Right Panel)
S93	DG10702	Front Panel (Left Side)
D18R	DG10723	Door
M24	DG10729	Door Side Beam (R/S)
M25	DG10730	Door Side Beam (L/S)
M26	DG10731	Upper/Lower Support Beam (Door)
U11	DG10741	Door Brace
23A	DG10631	Lower Support (Door) (W: 20 L: 775)
26A	DG10632	Lower/Roof Support (W: 20 L: 1120)
26B	DG10633	Lower Support (Side Panel) (W: 20 L: 1120)
26C	DG10634	Lower Support (Rear Panel R/S) (W: 20 L: 1120)
26D	DG10635	Lower Support (Rear Panel L/S) (W: 20 L: 1120)
26E	DG10636	Roof Support (W: 20 L: 1120)
26F	DG10637	Roof Support (W: 20 L: 1120)
26H	DG10638	Upper Support (Rear Panel L/S) (W: 20 L: 1120)
26I	DG10639	Upper Support (Rear Panel R/S) (W: 20 L: 1120)
26J	DG10640	Upper Support (Side Panel) (W: 20 L: 1120)
26K	DG10641	Upper Support (Side Panel) (W: 20 L: 1120)
26L	DG10642	Lower Support (Front Panel L/S) (W: 20 L: 1120)
26M	DG10643	Lower Support (Front Panel R/S) (W: 20 L: 1120)
26N	DG10644	Upper Support (Front Panel R/S) (W: 20 L: 1120)

Item	Part No.	Description
26P	DG10645	Upper Support (Front Panel L/S) (W: 20 L: 1120)
33R	DG10713	Middle Support (Front Panel R/S)
33L	DG10674	Middle Support (Front Panel L/S) (W: 20 L: 775)
34R	DG10650	Middle Support (Rear/Side Panel) (W: 20 L: 1100)
34L	DG10649	Middle Support (Side Panel) (W: 18 L: 1100)
J3	DG10726	Door Support Beam (Right Side)
J5	DG10728	Door Support Beam (Left Side)
42A	DG10654	Upper Support (Door) (W: 44 L: 776)
Z43	DG10747	Upright Support Beam
54	DG10716	End Roof Support
E2	DG10724	Centre Support
E3	DG10688	Centre Support Connector
62	DG10656	Ridge Beam (W:67 L: 1120)
70	DG10748	Bolt Lock
71	DG10749	Lock Brace
72	DG10750	Angle Brace
94R	DG10721	Gable (Right Side)
94L	DG10720	Gable (Left Side)
95	DG10686	End Cap
96	DG10687	Roof Brace (Angled 45Deg)(W: 20 L: 525)
67	DG10679	Ridge Beam Connector (W: 25 L: 450)
66	DG10678	Support Connector
W	DG10742	Door Handle

NOTE: It is our policy to continually improve products and as such we reserve the right to alter data, specifications and component parts without prior notice. There may be alternative versions of this product, please contact us should you require this information.

IMPORTANT: No liability is accepted for incorrect use of product. Spare parts must be fitted by a competent person

WARRANTY: Guarantee is 12 months from purchase date, proof of which will be required for any claim.

Dellonda, Kempson Way, Suffolk Business Park, Bury St Edmunds, Suffolk. IP32 7AR



01284 757575



support@dellonda.co.uk



www.dellonda.co.uk